

**X829 Asbestos  
Series  
15 & 20  
Gallon**

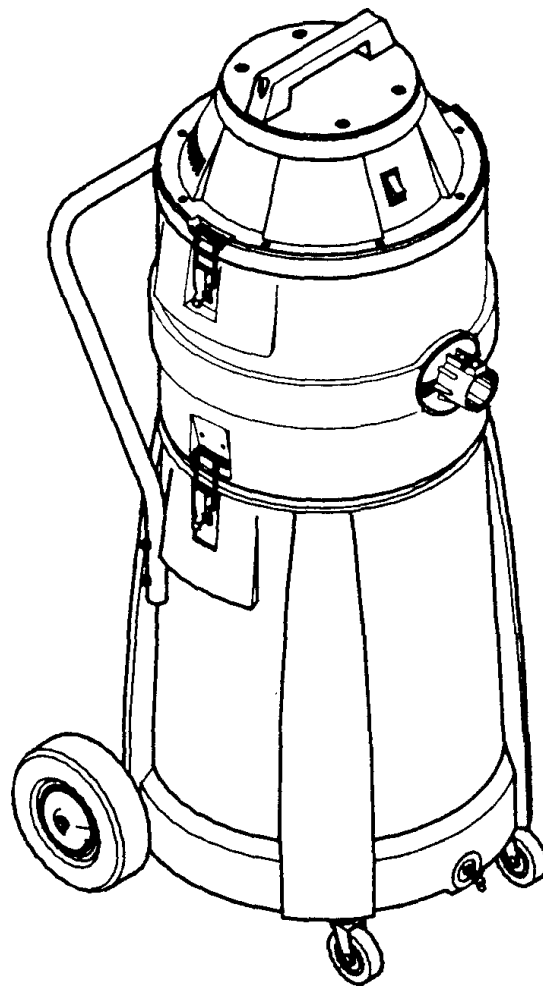
**Model: C82915-06  
C82920-06  
C82915-08  
C82920-08**

**OPERATION**

**SERVICE**

**PARTS**

**CARE**



Revised 6/02

***Minuteman***<sup>®</sup>

# FOR COMMERCIAL USE ONLY

## IMPORTANT SAFETY INSTRUCTIONS

When using an electrical appliance, basic precautions should always be followed, including the following:

### READ ALL INSTRUCTIONS BEFORE USING

#### **WARNING** - To reduce the risk of fire, electric shock, or injury:

- Do not leave appliance when plugged in. Unplug from outlet when not in use and before servicing.

#### **WARNING**

To reduce the risk of electric shock - Do not expose to rain. Store indoors.

- Do not allow to be used as a toy. Close attention is necessary when used by or near children.
- Use only as described in this manual. Use only manufacturer's recommended attachments.
- Do not use with damaged cord or plug. If appliance is not working as it should, has been dropped, damaged, left outdoors, or dropped into water, return it to a service center.
- Do not pull or carry by cord, use cord as a handle, close a door on cord, or pull cord around sharp edges or corners. Do not run appliance over cord. Keep cord away from heated surfaces.
- Do not unplug by pulling on cord. To unplug, grasp the plug, not the cord.
- Do not handle plug or appliance with wet hands.
- Do not put any object into openings. Do not use with any opening blocked; keep free of dust, lint, hair, and anything that may reduce air flow.
- Keep hair, loose clothing, fingers, and all parts of body away from openings and moving parts.
- Do not pick up anything that is burning or smoking, such as cigarettes, matches, or hot ashes.
- Do not use without dustbag and/or filters in place.
- Turn off all controls before unplugging.
- Use extra care when cleaning on stairs.
- Do not use to pick up flammable or combustible liquids such as gasoline or use in areas they may be present.
- Connect to a properly grounded outlet only. See grounding instructions.

### SAVE THESE INSTRUCTIONS

# INSPECTION

Carefully unpack and inspect your machine for shipping damage. Each unit is tested and thoroughly inspected before shipment, and any damage is the responsibility of the delivery carrier who should be notified immediately.

## ELECTRICAL - 115 Volt

This machine is designed to operate on a standard 15 amp. 115 volt, 60 hz, AC circuit. Voltages below 105 volts AC or above 125 volts AC could cause serious damage to the motor.

## ELECTRICAL - 240 Volt

This machine is designed to operate on a standard 16 amp. type L fused 230 volt, 50 hz, AC circuit. Voltages below 200 volts AC or above 250 volts AC could cause serious damage to the motor. I.E.C. Class I.

# WARNING

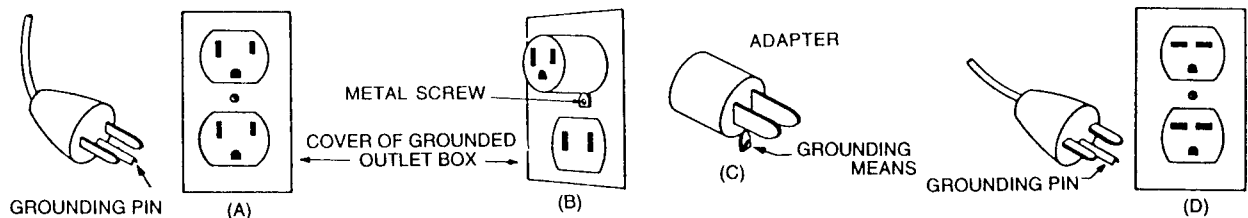
Electric motors can cause explosions when operated near explosive materials or vapors. Do not operate this machine near flammable materials such as solvents, thinners, fuels, grain dust, etc.

# GROUNDING INSTRUCTIONS

This appliance must be grounded. If it should malfunction or breakdown, grounding provides a path of least resistance for electric current to reduce the risk of electric shock. This appliance is equipped with a cord having an equipment-grounding conductor and grounding plug. The plug must be plugged into an appropriate outlet that is properly installed and grounded in accordance with all local codes and ordinances.

**DANGER** - Improper connection of the equipment-grounding conductor can result in a risk of electric shock. Check with a qualified electrician or service person if you are in doubt as to whether the outlet is properly grounded. Do not modify the plug provided with the appliance — if it will not fit the outlet, have a proper outlet installed by a qualified electrician.

This appliance is for use on a nominal 120-volt circuit and has a grounding plug that looks like the plug illustrated in sketch A below. Make sure that the appliance is connected to an outlet having the same configuration as the plug. No adapter should be used with this appliance.



## **WARNING**

This vacuum may contain potentially hazardous dust depending on its application. Special handling of contaminated disposable bags and filters is recommended. Disposal must be in compliance with local EPA regulations.

## **USER MAINTENANCE INSTRUCTIONS**

All service and repair should be performed by qualified vacuum service representative or electrician. No user serviceable components are employed in the electrical vacuum lid head assembly. No lubrication of the motor is required.

## **CLOTH BAG & HOSE ASSEMBLY**

Cloth bag and hose assembly are user maintenance items and can be replaced when worn out. For optimum performance, empty and clean filter bag regularly. A clogged and dirty bag restricts the flow of air and results in reduced vacuum. The hose assembly can be maintained by wiping off with a dampened cloth of mild liquid soap and water, then allowed to dry.

## **CORD STORAGE**

While not in use storage can be accomplished by winding cord around motor lid assembly. Cord should be completely unwound from lid assembly during operation.

- Do not use with damaged cord or plug. If appliance is not working as it should, has been dropped, damaged, left outdoors, or dropped into water, return to service center.
- Do not pull or carry by cord, use cord as handle, close a door on cord, or pull cord around sharp edges or corners. Do not run appliance over cord. Keep cord away from heated surfaces.
- Do not unplug by pulling cord. To unplug, grasp the plug, not the cord.
- Do not handle plug or appliance with wet hands.

Always unplug the machine when removing the motor head off the tank. This equipment should be stored indoors and not exposed to rain.

# TANK/FILTER SET-UP PROCEDURE

Refer to Page 6

1. When using the poly adapter for dry pick-up follow the described procedures below for poly 6 mil. bag installation.
  - A. Insert poly bag into tank assembly draping all excess bag height over the edge of tank. Fully open bag inside tank to ensure that the bag is not bunched up and fully extended to the bottom of tank.
  - B. Depending on the weight of the dry material being recovered, it may be necessary to slit the poly bag 2" horizontally approximately 2" down from the top of the tank. This will stop the poly bag from closing in on the bottom on the poly adapter. After filling the bag tie off bag below slit and remove from tank.
2. Install poly 1:1 adapter (4) on top of tank assy. (6) as shown and snap tank latches.
3. Install filter protector (3) over cloth filter (2) and place in poly 1:1 adapter (4).
4. Position vacuum motor lid assy. (1) on top of poly 1:1 adapter and snap lid latches in place.
5. For proper cleaning of tank and removal/changing of filters, see procedure for removing contaminated filters and for cleaning of contaminated tank. (Page 5)

## PROCEDURE FOR REMOVING CONTAMINATED FILTERS AND FOR CLEANING CONTAMINATED TANK

For the benefit of your health, you should always wear a face mask approved for use with asbestos any time you are using or cleaning this vacuum cleaner. You should also wear gloves.

1. Unplug machine from power source.
2. Carefully and slowly remove lid only (be sure you have not accidentally lifted the cloth filter bag at the same time). Set the lid/filter assembly aside.
3. Gently tap the inside of the cloth bag to loosen any particles that may be on the opposite surface. Do this all around the inside surface of the bag.
4. Gently remove the cloth bag and set aside.
5. Remove filter protector from poly 1:1 and place in plastic bag marked "Hazardous Materials."
6. Using a wiping cloth, dampened with water (not soaking wet), wipe down all of the exposed surfaces inside of the 1:1 poly; put the cloth aside - do not discard.
7. Remove poly 1:1 adapter and wipe down bottom side of poly adapter.
8. Tie off poly bag inside tank and remove. Wipe down inside of tank and dispose of cloth.

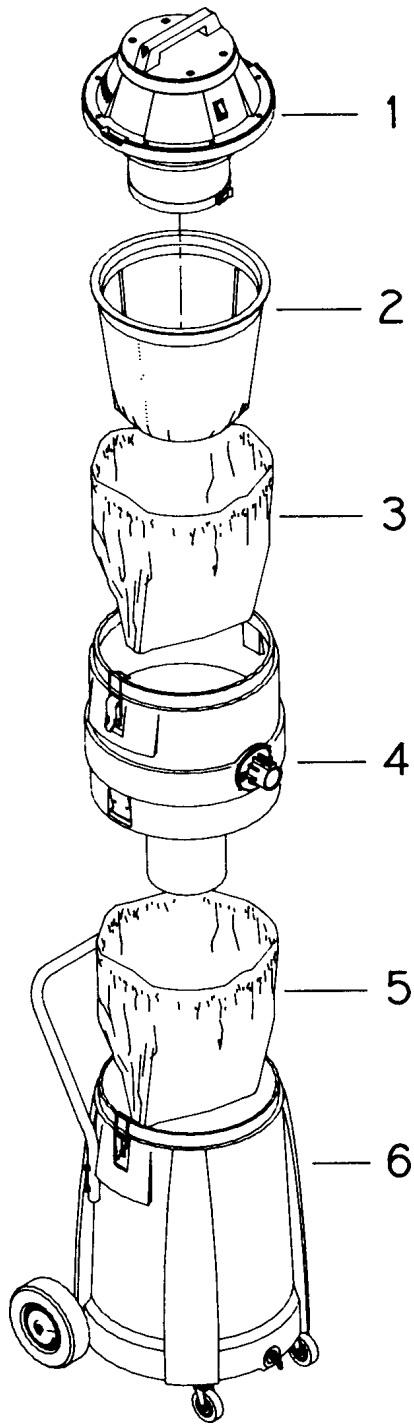
# CHANGING THE PINK IMPACTION PRE-FILTER

Refer to Item No. 25, Page 7

The pink impaction filter should be changed, using all of the precautions previously mentioned.

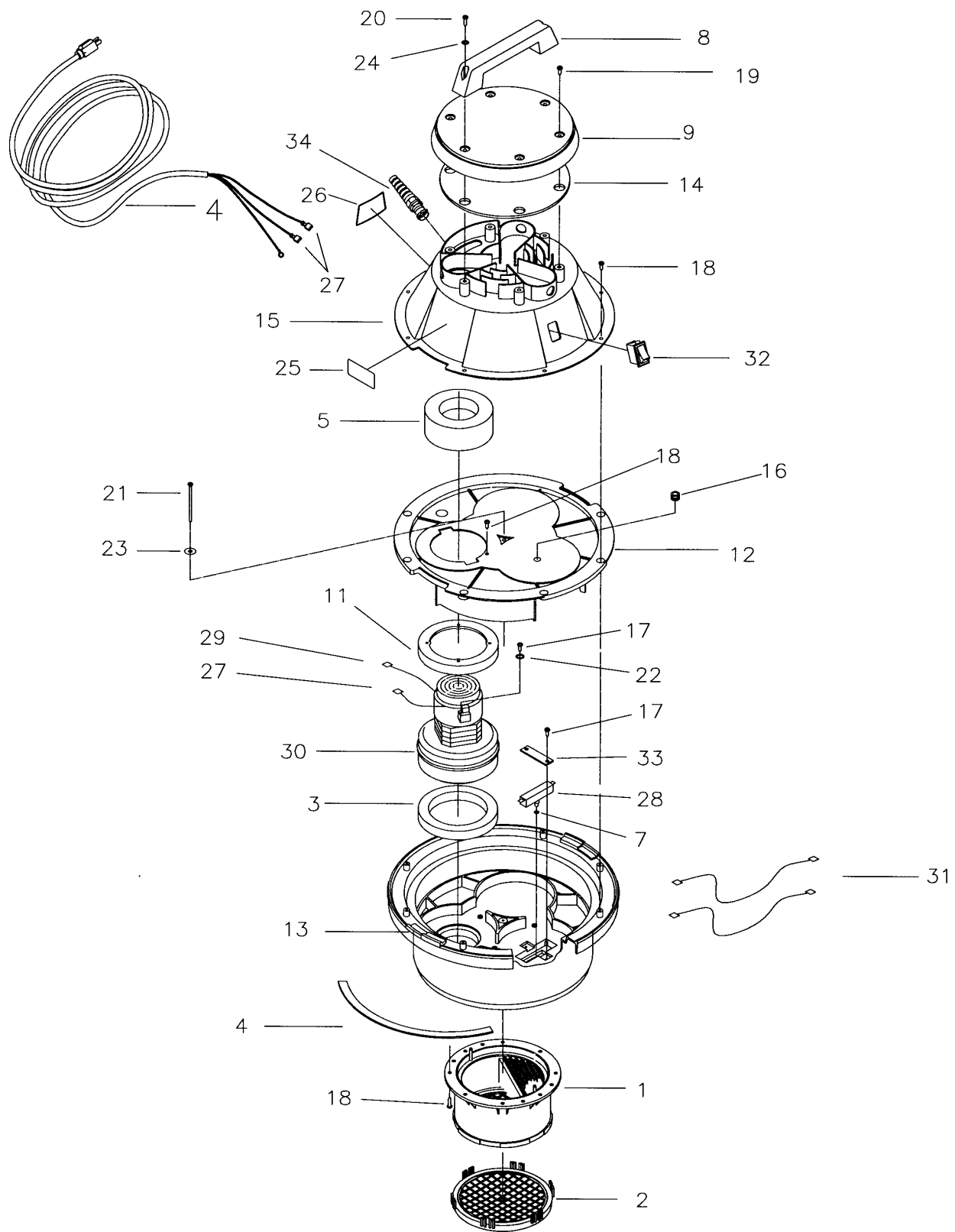
The impaction filter should be changed when any of the following take place:

1. Anytime there is an indication of a filter tear during normal operation of the unit.  
This tear could be in any of the filters used:
  - a. paper dust containment bag
  - b. paper bag protector
  - c. cloth filter bagThese tears would show up during the tank clean-out procedure, or . . . .
2. Every other tank clean-out period.  
To change the impaction filter, do the following before you do Step #3 of the normal clean-out procedure.
  - a. Wipe down all of the exposed surfaces on the underside of the removed lid, using the dampened wiping cloth (see Step #6).
3. Ref. Item 25 Pre-filter Page 7  
To install pre-filter Item 25, position on bottom of H.E.P.A. Filter Item 24 as shown on Page 7 and snap into place. To remove, rotate pre-filter on base of H.E.P.A. filter to disengage clamp fingers and slide off.



Poly Tank With 1:1 Adapter

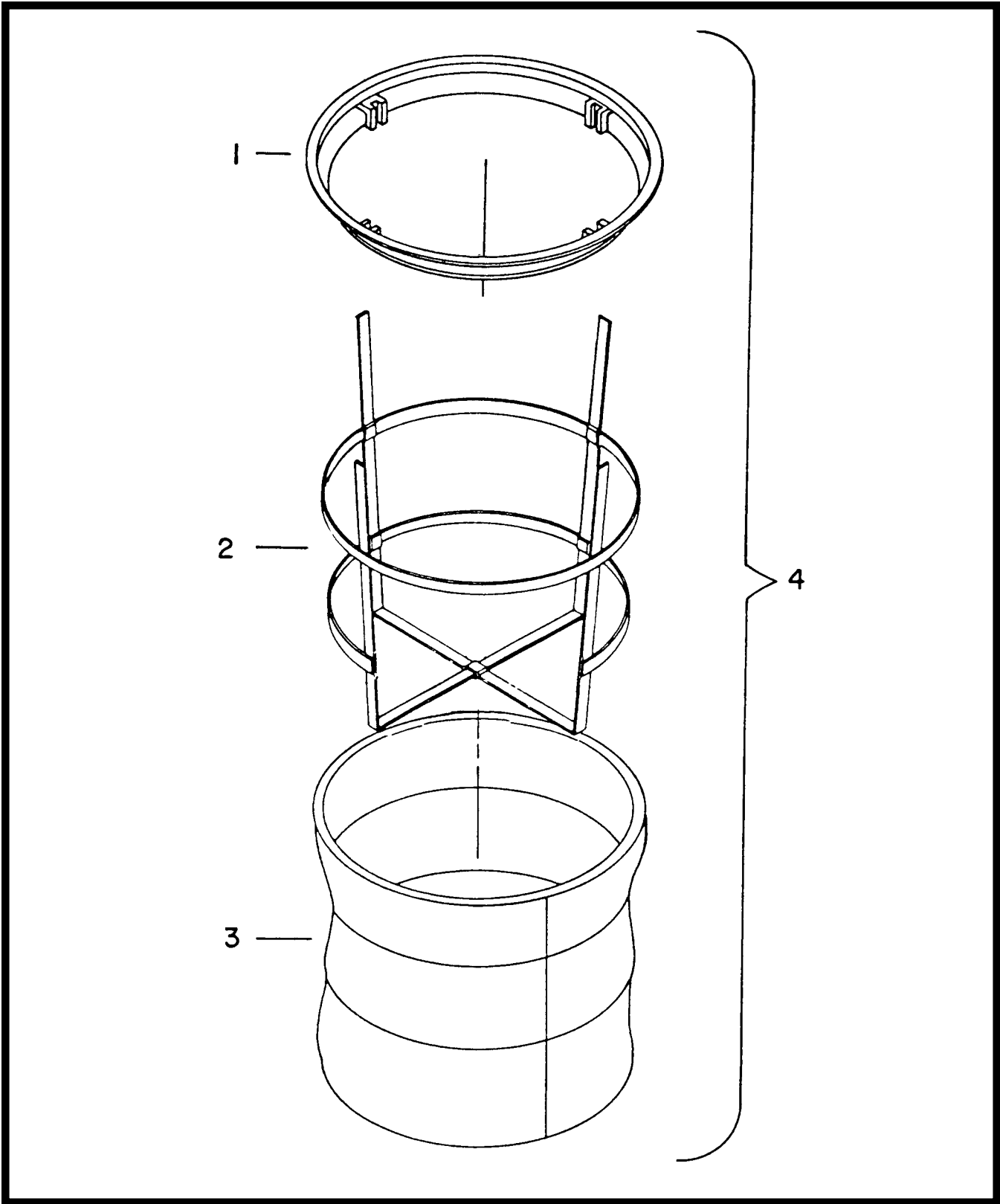
1. Motor Lid Assembly
2. Cloth Filter with Frame
3. Filter Protector
4. 1:1 Poly Adaptor
5. Plastic Liner for Top Fill Dry Pickup
6. 15/20 Gallon Poly Tank





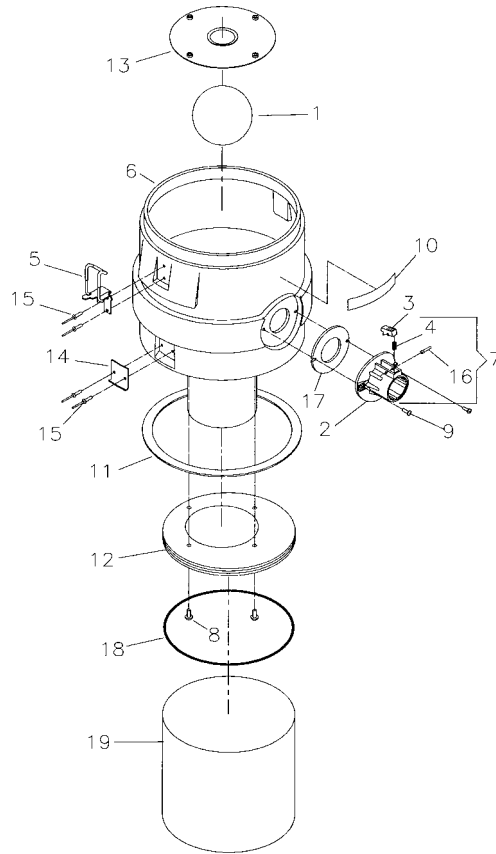
## Parts List

Item No.	Part No.	Qty.	Description
1	110004	1	Hepa Filter 99.99 @ .1
2	110005	1	Pre-filter Snap On
3	460019	1	Gasket 3.75 x 5.75 x .75
4	290030	1	Lid Gasket Diecut
5	380064	1	Ring, Foam
6	381020	1	Med Grey Cord Set 16-3 50"
6A	740600	1	Cord HO5 50' (240V)
7	390062	1	O Ring Valve Seat Body
8	460000	1	Handle Lid
9	460003	1	Lid Cover
10	460010	1	Vacuum Housing
11	290017	1	Moulded Vac MTR Gasket
11A	380035	1	Gasket 4.31 x 5.81 x .19
12	460031-A	1	Motor Holdown Single HEPA
13	460032-A	1	Vac Motor Adapter w/HEPA
14	460045	1	Dome Seal Gasket
15	460070	1	Motor Cover, Single
16	700287	1	Grommet
17	711124	3	SCR-ST-B 10 x .37 NI
18	711160	19	SCR Hi/Lo #10 x 5/8 PL
19	711161	4	SCR Hi/Lo #10 x 3/4 PL
20	711162	2	SCR Hi/Lo #10 x 1 1/2 PI
21	711170	1	SCR #10 A Point x 3.5
22	711553	1	WSR – Internal Lock #10
23	711584	1	WSR – Finish #10
24	712320	2	WSR-Nylon
25	715058	1	Decal Caution UL Hazardous
26	715115	1	Decal Warning PV Dry
27	740014	3	Terminal Female Insul 1/4
28	740029	1	Switch 1.5 HP
29	740033	1	Terminal Male Insul 1/4
30	740357	1	Vacuum Motor 120V
30A	740149	1	Vacuum Motor 240V
31	740416	2	Wire Assembly 14GA Black
32	809754	1	Switch Rocker
33	829196	1	Mounting Bracket, Switch
34	833237	1	Strain Relief w/Nut
***	829123	1	Lid Asy HEPA 115V
***	829240	1	Lid Asy Comp HEPA 240V



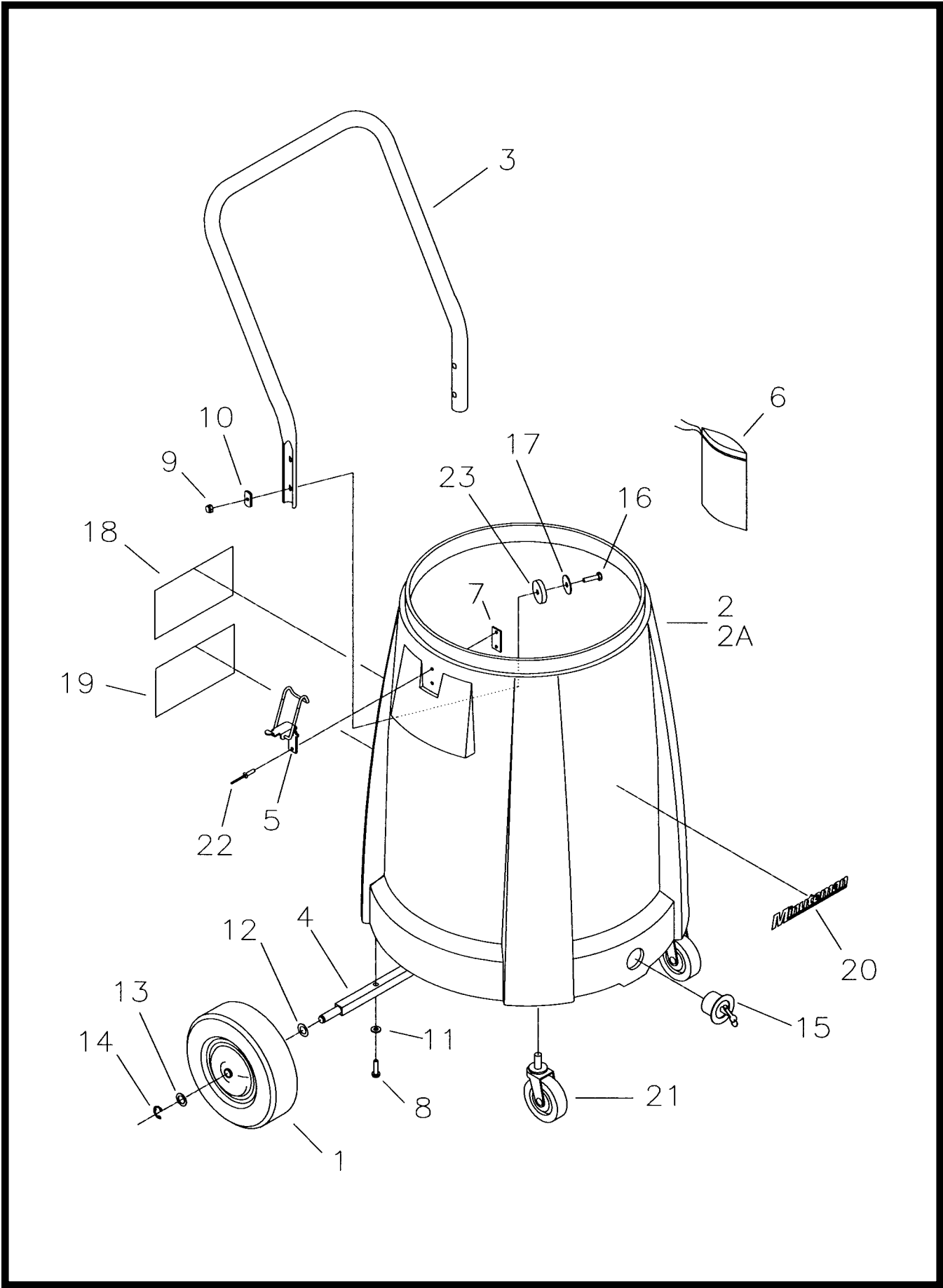
**Parts List**

Item No.	Part No.	Qty.	Description
1	760131	1	Molded Bag Ring
2	750097	1	Bag Frame
3	805054	1	Cloth Bag Only
4	805057	1	Bag Assy. Complete



### Parts List


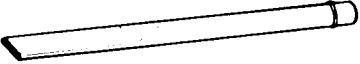
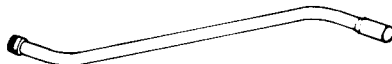
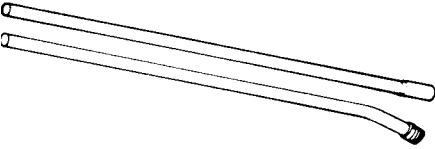
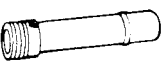


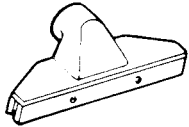
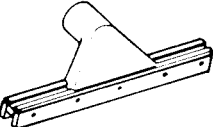
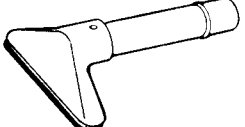
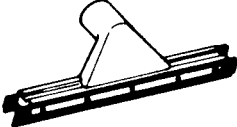
Item	Part No.	Qty.	Description
1	380046	1	Hollow Rubber Ball
2	390000	1	Intake
3	390001	1	Trigger
4	390002	1	Return Spring
5	390035	2	Latch 390 Series Coated
6	390037	1	Adapter 1:1 Poly
7	390100	1	Intake Assembly Aluminum
8	712565	4	SCR-MC 1/4-20 x .62 SS
9	712530	2	SCR-MC 10-24 x .62 SS
10	715381	1	Decal, Minuteman
11	390088	1	Gasket PS Back 1:1 Poly
12	762300	1	MTG Plate Prefilter
13	800422	1	Liquid Shutoff Plate
14	800423	2	Latch Plate
15	828893	8	Pop Rivet KTR64BX
16	833831	1	Pivot Pin
17	390087	1	Gasket Diecut VNN Intake
18	760260	1	Spring, Bag Retainer
19	760234	1	Lint Filter Bag



## PARTS LIST

Item	Part No.	Qty.	Description
1	900008	2	Wheel 8.00 Dia
2	390041	1	Tank, Poly 15 Gallon
2A	390051	1	Tank, Poly 20 Gallon
3	390031	1	Handle
4	390033	1	Axle
5	390035	2	Latch
6	833729	1	Bag Diffuser
7	833831	2	Clamp Back Plate
8	710182	2	SCR-MC 1/4-20 x 1.00 ST PL
9	711352	4	Nut-Acorn 1/4-20 ST NI
10	711444	4	1/4-20 Weldnut Plated
11	711505	2	WSR- Flat 1/4
12	711524	2	WSR-Wave .52 x .87 x .01
13	711594	2	WSR-Flat .56 x .88 x .03 NI
14	711713	2	Retaining Ring Ext. .50
15	833316	1	Drain Plug
16	712451	4	SCR 1/4-20 x 1.00 SS TH
17	712761	4	WSR-Flat .28 x 1.25 x .059 SS
18	715119	1	Decal "Danger"
19	715120	1	Decal Instructions
20	715383	1	Decal MMan
21	804457	2	Caster 3"
22	828894	4	Pop Rivet
23	828980	4	Gasket
***	390040	1	Tank Asy 15GCR No Int w/DP
***	390050	1	Tank Asy 15GCR No Int w/DP

# OPTIONAL INDUSTRIAL TOOLS AND ACCESSORIES

<p><b>A</b></p>		<p>800024 3" Rd. Dust Brush Complete              800022 5" Rd Dust Brush Complete              800023 Bristle Insert 5"              800175MCH Dust Brush HSG 5"              800176MCH Dust Brush HSG 3"              800025 Bristle Insert 3"</p>
<p><b>B</b></p>		<p>800034 24" Crev Tool Aluminum, Complete</p>
<p><b>C</b></p>		<p>800015 Wand Assy. 1-1/2, Complete</p>
<p><b>D</b></p>		<p>800017 Set Tube, High-up 10'              800064 5' Tube Lower Section              800019 5' Section Upper</p>
<p><b>E</b></p>		<p>800116 Swivel, Hose End Exp. Complete</p>
<p><b>F</b></p>		<p>800303 Hose Assy. 1-1/2 x 10'</p>
<p><b>G</b></p>		<p>800032 6" Curved Pipe Tool, Complete              711006 Set Screw              800033 Bristle Insert Curved 6"              800193POL 6" Curved Pipe tool</p>
<p><b>H</b></p>		<p>800070 12" Gulper Tool, Complete              710356 SCR-MC 10-32 x .62              710357 SCR-MC 10-32 x .75              800187PTD Gulper Nozzle              800217 Fibre Shoe Rear              800218 Fibre Shoe Front</p>
<p><b>I</b></p>		<p>800108 14" Fibre Tool Complete              710530 Screw 8/32 x 1/2 Brass              800003MCH Fibre Shod              800178PTD Tool Casting</p>
<p><b>J</b></p>		<p>800038 6" Tool w/Handle Tube, Complete              800029 Bristle Insert Replacement</p>
<p><b>K</b></p>		<p>800109 14" Squeegee, Complete              710330 SCR-SC 8-32 X .62              800121 14" Retaining Strip              800178PTD Casting, Tool MCH              800239 Blade Squeegee Wide              800240 Blade Squeegee Narrow</p>

# LIMITED WARRANTY

Minuteman International, Inc. warrants to the original purchaser/user that this product is free from defects in workmanship and materials under normal use and service for a period of three years from date of purchase. In addition, Minuteman International, Inc. will, at its option, honor labor warranty claims for the first 12 months from date of sale, provided such claims are submitted through and approved by factory authorized repair stations. Minuteman International, Inc. will, at its option, repair or replace without charge, except for transportation costs, parts that fail under normal use and service when operated and maintained in accordance with the applicable operation and instruction manuals.

This warranty does not apply to normal wear, or to items whose life is dependent on their use and care, such as belts, cords, switches, hoses, rubber parts, electrical motor components or adjustments. Parts not manufactured by Minuteman International, Inc. such as engines, batteries, battery chargers, hydraulic pumps, and tires are covered by and subject to the warranties and/or guarantees of their manufacturers. Please contact Minuteman International, Inc. for procedures in warranty claims against these manufacturers.

**Special warning to purchaser** — Use of replacement filters and/or prefilters not manufactured by Minuteman International, Inc. or its designated licensees, will void all warranties expressed or implied.

A potential health hazard exists without exact original equipment replacement.

All warranted items become the sole property of Minuteman International, Inc. or its original manufacturer, whichever the case may be.

Minuteman International, Inc. disclaims any implied warranty, including the warranty of merchantability and the warranty of fitness for a particular purpose. Minuteman International, Inc. assumes no responsibility for any special, incidental or consequential damages.

This limited warranty is applicable only in the U.S.A. and Canada, and is extended only to the original user/purchaser of this product. Customers outside the U.S.A. and Canada should contact their local distributor for export warranty policies. Minuteman International, Inc. is not responsible for costs or repairs performed by persons other than those specifically authorized by Minuteman International, Inc. This warranty does not apply to damage from transportation, alterations by unauthorized persons, misuse or abuse of the equipment, use of non-compatible chemicals, or damage to property, or loss of income due to malfunctions of the product.

If a difficulty develops with this machine, you should contact the dealer from whom it was purchased.

This warranty gives you specific legal rights, and you may have other rights which vary from state to state. Some states do not allow the exclusion or limitation of special, incidental or consequential damages, or limitations on how long an implied warranty lasts, so the above exclusions and limitations may not apply to you.

## **Minuteman**<sup>®</sup>

**World Headquarters**  
Minuteman International, Inc.  
111 South Rohlwing Road  
Addison, Illinois 60101

Minuteman Canada, Inc.  
2210 Drew Road  
Mississauga, Ontario  
L5S 1B1

(630) 627-6900  
FAX (630) 627-1130

(905) 673-3222  
FAX (905) 673-5161

987230  
Printed in U.S.A.